



TECHNICAL SPECIFICATIONS

 www.puracomposites.ie  +353 1 84 276691

MESA [®]
S U P P O R T

Technical specifications	01
Decking Pedestal overview	02
Paving Pedestal Overview	03
Full size range	04




Technical Area	Specification
Material	90% recycled Polypropylene and 10% Talc, UV stabilizers, black masterbatch.
Recyclable	100% recyclable
Operating temperature	-40°C to 120°C
Height Range	10 - 740mm
Head Diameter	140mm
Base Diameter	200mm
Frost Resistant	Yes
Salt Water Resistant	Yes
Water Absorption Rate	0.00%



APPLICATIONS

- High traffic - commercial to • Tiling Support residential • Metal grate support
- Decking joist support
- Fiberglass grid support

 Please note, when using 10-40mm decking risers, loads must not exceed 350kg per sqm. These joist cradles should be spaced no more than 500mm apart with maximum joist spacings of 400mm.

DECKING PEDESTAL OVERVIEW

MESA Support pedestals are the most robust, intelligent and sustainable supports in the market. They can support loads of up to 1000KG and come with a 20 year limited warranty. With adjustable heights ranging from 10mm-750mm they give you complete control of the height of the area

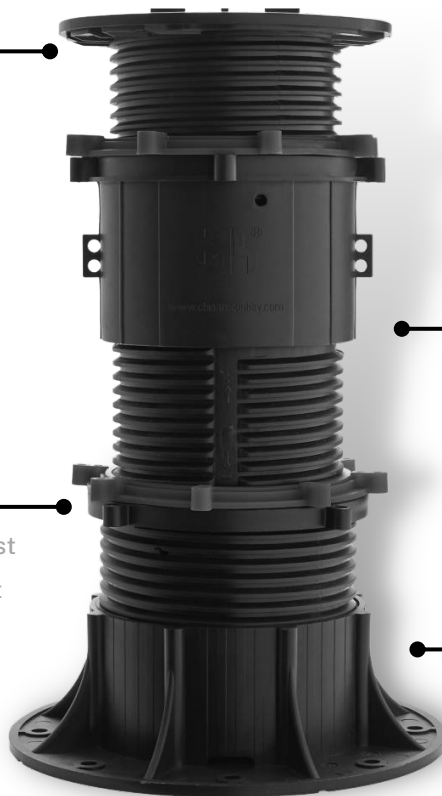


Self Levelling Joist Cradle

- Diameter: 160mm
- Thickness: 4mm
- 90% recycled Polypropylene
- Clips into pedestal head
- Auto-adjusts to accommodate slopes

Pedestal Head

- Head diameter: 150mm
- 90% recycled Polypropylene
- Can be used by itself or with the attachable joist cradle



Extender Ring and Coupler

- Used when height of pedestal exceeds 175mm

Fixing Collar Ring

- Locks height adjustment against vibration or shock movement
- 90% recycled Polypropylene

Pedestal Base

- Base diameter: 200mm
- Placed or fixed to foundations
- 90% recycled Polypropylene

Rubber Matt

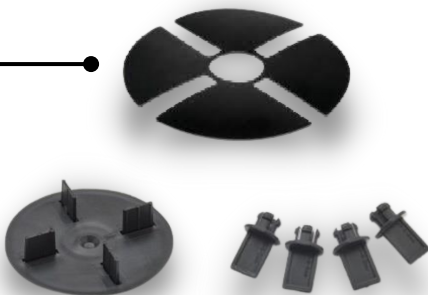
- Base diameter: 200mm
- Ideal for roof terraces
- Recycled rubber



MESA pedestals are the most robust, intelligent and sustainable supports in the market. They can support loads of up to 1000KG and come with a 20 year limited warranty. With adjustable heights ranging from 10mm-740mm they give you complete control of the height of your decking.

Rubber Shim

- Rubber spacing shims for fine tune levelling
- 1or 2mm thickness
- Improved noise dampening
- 100% recycled rubber



Paving Spacer & Spacing Tabs

- Individual tiling spacer tabs for polygon tiling.
- 2mm, 3.5mm and 5mm spacing options
- Easy clip in system
- 90% recycled Polypropylene
- Quick & simple to install, saving you time over traditional supports

Pedestal Head

- Head diameter: 150mm
- 90% recycled polypropylene



Fixing Collar Ring

- Locks the height adjustment against vibration or shock movement
- 90% recycled polypropylene

Extender Ring and Coupler

- Used when the height of the pedestal exceeds 175mm

Rubber Matt

- Base diameter: 200mm
- Ideal for roof terraces
- Recycled rubber



Pedestal Base

- Base diameter: 200mm
- Placed or fixed to the foundations
- 90% recycled polypropylene

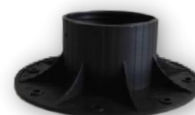
Pedestals between 10 -77mm will arrive pre-assembled. Pedestals 78mm and above will need to be assembled upon delivery. A full list of components per pedestal can be found in the table below.



Head + Fixing Collar



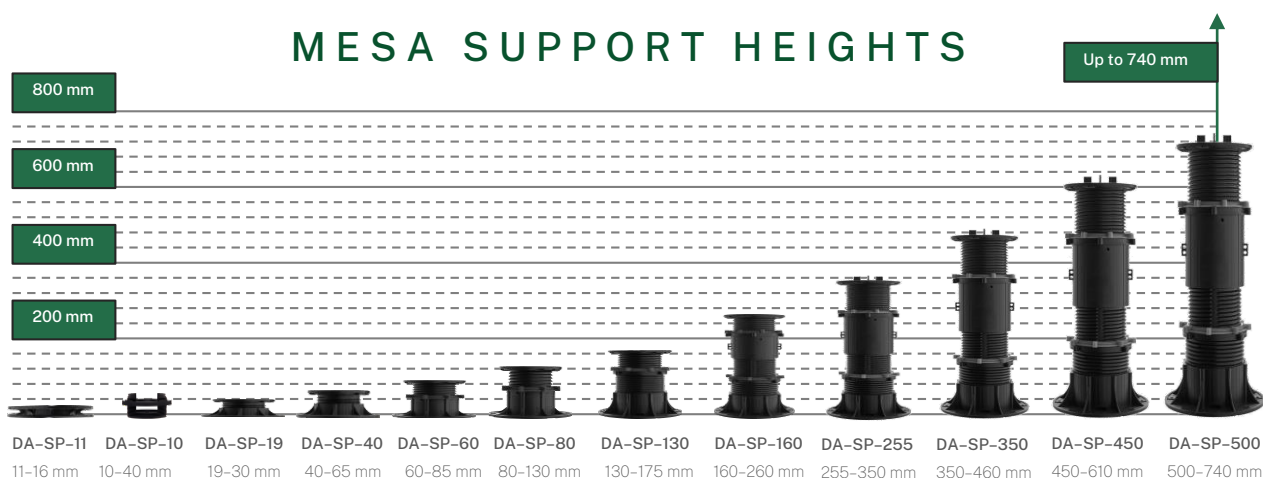
Extender and Fixing Collar



Base

SKU	HEIGHT RANGE (MM)	COMPONENTS FOR ASSEMBLY					
		78 mm Head + Fixing Collar	123 mm Head + Fixing Collar	179 mm Head + Fixing Collar	Extender and Fixing Collar	65 mm Base	149 mm Base
DA-SP-80	80 -130	1	-	-	-	1	-
DA-SP-130	130 -175	-	1	-	-	1	-
DA-SP-160	160 -260	-	1	-	-	-	1
DA-SP-255	255 -350	1	-	-	1	-	1
DA-SP-350	350 -460	-	-	1	1	-	1
DA-SP-450	450 -610	-	-	1	2	-	1
DA-SP-500	500 -740	-	-	1	3	-	1

MESA SUPPORT HEIGHTS





It is the customer's responsibility to determine the suitability of PURA COMPOSITES PEDESTALS for their particular private or commercial installation. PURA COMPOSITES can provide test reports to help.



MESA®
S U P P O R T



Ground Floor, 8-9 Marino Mart, Fairview,
Clontarf, Dublin 3, D03 P590, Ireland



+353 1 84 27669