



INSTALLATION & MAINTENANCE
GUIDE



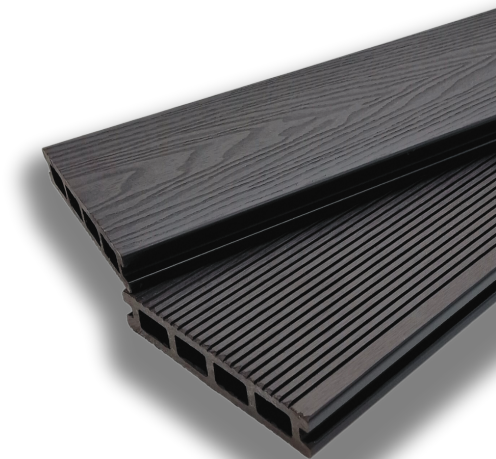
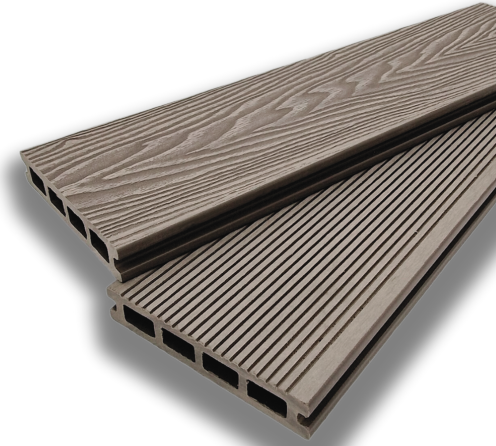
pura.composites.ie



+353 1 84 276691

CONTENTS

<u>STORAGE & HANDLING</u>	<u>3</u>
<u>TOOLS</u>	<u>4</u>
<u>CALCULATING MATERIALS</u>	<u>5</u>
<u>ACCESSORY RECOMMENDATIONS</u>	<u>7</u>
<u>SUBFRAME INSTALLATION OVERVIEW</u>	<u>8</u>
<u>SUBFRAME ON HARD CONCRETE</u>	<u>9</u>
<u>SUBFRAME ON SOFT FOUNDATIONS</u>	<u>12</u>
<u>SPACING COMPOSITE MATERIALS</u>	<u>14</u>
<u>DECKING INSTALLATION STEPS</u>	<u>15</u>
<u>LAST DECK BOARD INSTALLATION</u>	<u>17</u>
<u>DIAGONAL DECKING INSTALLATION</u>	<u>18</u>
<u>PICTURE FRAME BOARDER INSTALLATION</u>	<u>19</u>
<u>BULLNOSE BOARD INSTALLATION</u>	<u>20</u>
<u>EDGE BOARD INSTALLATION</u>	<u>22</u>
<u>FASCIA BOARDS INSTALLATION</u>	<u>24</u>
<u>CORNER TRIM INSTALLATION</u>	<u>25</u>
<u>STEPS & STAIRS INSTALLATION</u>	<u>26</u>
<u>MAINTENANCE & CARE</u>	<u>28</u>
<u>FAQs</u>	<u>29</u>



STORAGE & HANDLING

While composites are highly durable, to ensure their lasting beauty, please follow these important guidelines when storing, moving and working with PURA DECK PRO products



STORAGE

- Material should always be covered until it is ready to be installed to maintain a clean surface. If stored outside use a non-translucent material
- All products should be stored flat and level, supported above the ground at 500mm intervals
- Battens used to separate and support any stored decking material should be spaced no more than 500mm apart, to ensure the boards don't bow
- Stack units with banding and bottom supports aligned
- Pallets of decking boards should not be stacked more than 4 pallets or 3m in height



HANDLING

- PURA DECK PRO materials should be placed and not dumped when unloading
- When removing boards from a unit, lift the boards and set them down, do not slide boards against each other when moving them
- Carry PURA DECK PRO boards on the edge for better support
- During construction, do not slide or drag any equipment across the boards
- The surface of the boards should be kept free of construction material and waste to prevent damage
- Each 4m decking board can weigh between 9.5Kg and 14.5Kg, please ensure they are handled safely. we recommend that two people handle the boards during transportation



RECOMMENDED TOOLS FOR INSTALLING PURA DECK

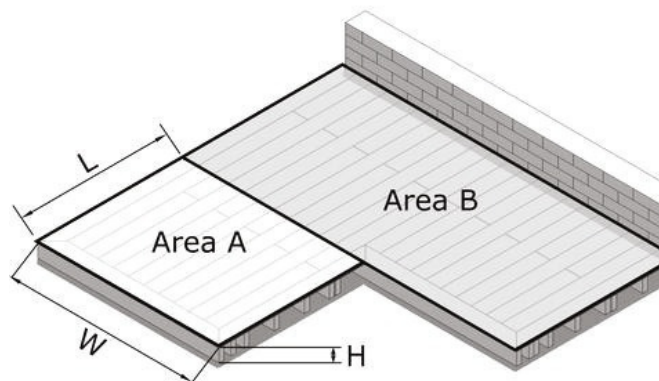
Standard woodworking tools can be used when working with PURA DECK PRO. If you are unsure on how to use any tool, please consult the tool's manufacturer's user manual

- Circular Saw - we recommend a thin kerf 40-tooth alternate top bevel finish blade to achieve the cleanest cuts. If cutting plastic battens use a tungsten carbide blade (small metal fragments can get through the recycling process).
- Power Mitre Saw can also be useful for efficiency and bevelled edges
- Jig Saw
- Hand Drill - 3mm and countersink drill bits (can use all-in-one smart bit)
- Impact Driver (Use T15 secure drill bit supplied in all PURAFIX hidden fastening packs, use low torque setting)
- Tape Measure
- Carpentry Square
- Spirit Level
- Safety Glasses and relevant Personal Protection Equipment (PPE)
- Chalk Line

CALCULATING MATERIALS

To determine how much PURA DECK PRO material you will require, you can either use detailed plans or follow the method below.

fig.01



- 1 Start off by measuring the width and length of your proposed decking area(s)
- 2 Plan which direction to lay your decking

The following example will use a decking area of 3m wide x 6m long and 4m PURA DECK boards (135 x 25 mm) with 6mm hidden fasteners:

Table 01

Range	Board length (m)	Board width (mm)	Board Depth (mm)
PURADECK PRO	4.0m	135mm	25mm

- 3 If the boards are laid lengthways, to find the number of board rows, divide the deck width by the width of the board (Table 01) plus a 6mm spacing per board (allows for the hidden fastener gap)

$$3\text{m width} / (0.135\text{m} + 0.006\text{m}) = 22 \text{ boards wide}$$

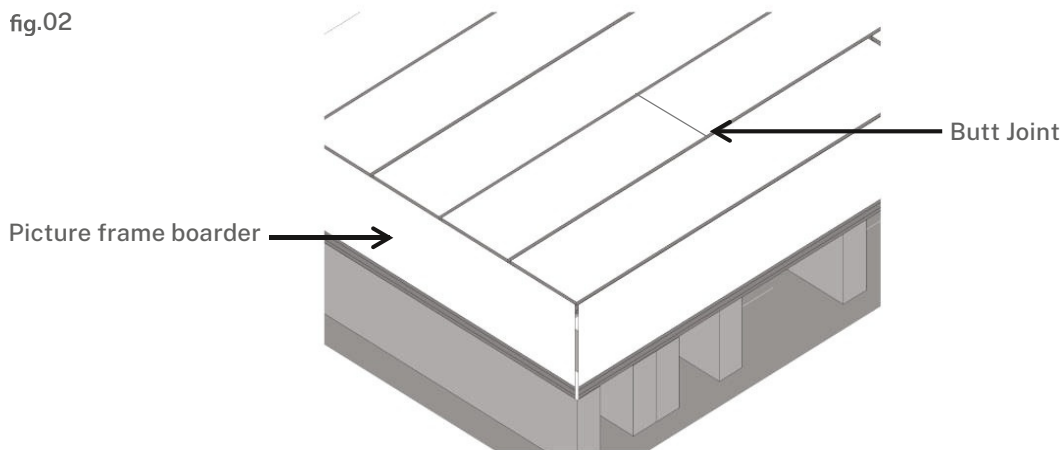
- 4 Now multiply the length of the deck by the number of boards wide (given above). This gives you the total linear meters of deck boards required:

$$6\text{m length} \times 20 \text{ boards wide} = 128 \text{ linear meters}$$

- 5 Finally, divide the total linearmeters of decking by the length of board being used:

$$120 \text{ linear meters} / 4\text{m board length} = 32 \text{ lengths of 4m decking boards}$$

fig.02



Picture Frame Border

- 6 If you plan to have a picture frame border (fig. 02), add on the length of the boards running against the overall board direction (then divided by the length of the decking board used)

Total length of sides = 3m x 2 sides = 6 linear meters

6 linear meters / 4m length decking board = 1.5 boards; then always round UP to 2 boards

Calculation Recommendations

- It is recommended that you add at least 5% to the total material required for a wastage factor. It is unlikely you will use the board lengths perfectly
- For diagonally laid decking it is recommended that you add 15% extra material as you will generate more scrap from cutting. To read more on diagonal deck installation see p.20
- A drawing to scale may help you determine how much more material will be required
- If you do not want butt joints (fig. 03) across the deck and the width is no greater than 2.8m, then you need to ensure you order enough extra 4m boards to cover the area
- Always round UP the number of boards required
- For multiple decking areas, follow the steps for each above and sum the quantities together

Please note: These are best estimates only, for more complex designs and features, a drawing to scale may help you determine how much material will be required.

ACCESSORY RECOMMENDATIONS

For fixings, finishing's and substructure, the below guide will help determine how much you may require

ACCESSORIES

Table 02

ITEM	PRODUCT	PROFILE (MM)	SIZE OPTIONS	COLOUR OPTIONS	QUANTITY
	PURA DECK Fascia Board	72 x 12	2,700mm	As per PURA DECK RANGE	Var.
	PURA DECK Edge Board	54 x 54	2,200mm	As per PURA DECK RANGE	Var.
	PURA DECK Corner Nosing	54 x 40	3,000m	As per PURA DECK RANGE	Var.
	6mm Hidden Fasteners	-	Box of 100	Black	20 Clips
	3mm Hidden Fasteners	-	Box of 100	Stainless Steel	20 Clips
	Starter Fasteners	-	Box of 50	Black	4 Clips

SUBSTRUCTURE

Table 03

ITEM	PRODUCT	PROFILE (MM)	SIZE OPTIONS	COLOUR OPTIONS	QUANTITY
	Plastic Joists	50 x 50 50 x 100 50 x 150	3,100mm 3,400mm 3,400mm	Black	4m per m2
	Plastic Posts	100 x 100	3,400mm	Black	0.5m per m2
	Cradle Risers	110mm ring 90mm base	Height rise 10 - 40mm	Black	8 per m2
	Adjustable Pedestals	140mm head 200mm base	Heights from 12 - 595mm	Black	4 - 9 per m2

SUB-FRAME INSTALLATION - OVERVIEW

PURA DECK PRO can be installed on various sub frame choices; treated timber or plastic lumber anti anti-rot joists. For all types of sub frame you must adhere to the following rules to ensure the warranty validity

Before You Start

- The joists are designed to take live loads, any static loads must be placed over the supports
- Only use tungsten carbide tipped drill bits and saw blades for working with plastic lumber, we do not recommend diamond tipped blades (small metal fragments can get through the recycling)
- To allow sufficient drainage, a drainage slope of 0.5% (5mm per meter) should be incorporated
- Due to temperature induced expansion and contraction with plastic lumber, you should never fix bearers directly to foundations; if you have to fix the bearers to the foundations, use expansion clips.
- Plastic bearers should be installed with the greatest dimension as the upright
- The bearer must not overhang a support by more than 50mm
- Where lumber ends abut a cross beam, you must leave min. 10mm gap from the bearer end to the crossbeam. These can be joined using expansion L L-brackets over a support or joist hangers
- A joist must be used under deck board ends, and a double joist structure for deck butt joints

Spacing & Supports

The range of decking you use will determine the joist centres used for the project. Ensure widths between joist centres are no greater than below table:

Table 04

RANGE	MAX. SUPPORT SPAN	DIAGONAL SUPPORT SPAN
PURA DECK PRO	300mm	250mm

If you plan on using Plastic lumber the height dimension of the bearer will determine how often the joist need to be supported. Ensure widths between supports under joists are no greater than below:

Table 05

Plastic Lumber Bearer Prole	Max. Support Span
50x50mm	500mm
50x100mm	750mm
50x150mm	1500mm

SUB-FRAME: ON CONCRETE FOUNDATIONS

With solid flat foundations and flat roof are as the decking substructure can be supported with adjustable support pedestals (fig. 3). These are simply placed straight onto the ground with a protective rubber pad (for flat roofs) and the height of each is adjusted by rotating the pedestal top.

PREPARING THE AREA

- The foundations should incorporate a drainage slope of 5mm per meter to avoid water pooling
- The installation condition should be flat and stable in order to avoid deformation of the decking surface
- A gutter or scupper should be made in the foundations
- Composite boards must be a min. of 50mm off the ground (fig. 04)
- In areas of potential excessive water and debris build up, we recommend either Manticore plastic bearers or min. 90mm off the ground for pressure-treated timber joists to ensure good air ventilation and water passage

ROOF TERRACE PREPARATION

- Ensure the roofing membrane is 100% water tight and free of debris
- On flat roofs, protective rubber mats should be placed under pedestals to avoid damaging the roofing membrane (fig. 03)
- Where a waterproof membrane is in place, pedestals cannot be bolted to the ground; the weight of the decking should be sufficient to keep all in place

fig.03

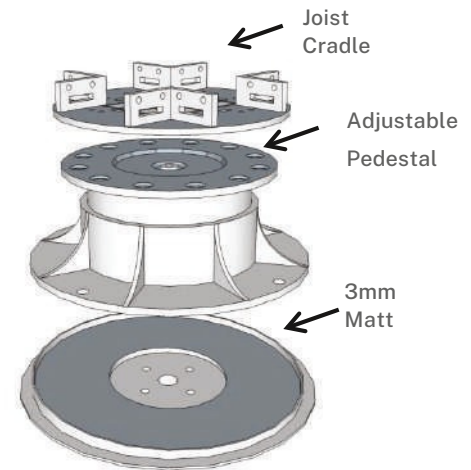


fig 04

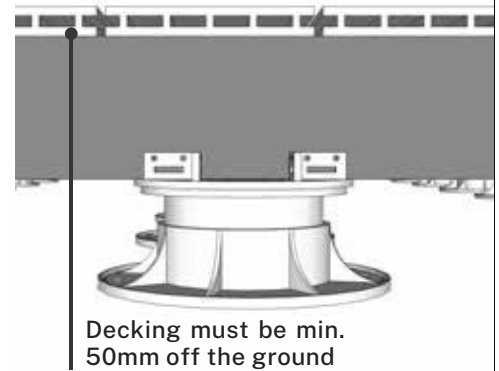
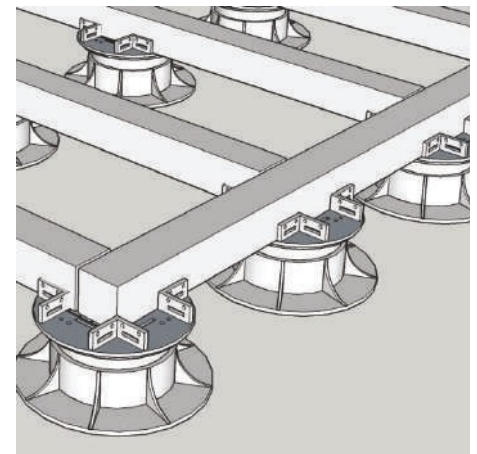


fig 05



SUB-FRAME: ON CONCRETE FOUNDATIONS

LAYING THE PEDESTALS

- 1 Starting from the edge of the decking area, lay out the pedestals (fig. 06):
 - Rotate the base clockwise to increase the pedestal height to your required size (fig. 07)
 - Your joist size will affect how often you need to lay the pedestals (p. 08)
 - In corners or along edges where the top of the pedestal cannot fully support the joist, you can simply turn the pedestal upside down
- 2 For roof terraces it is recommended to use the rubber base mats to provide an extra layer of protection
If installing on a slope, use a spirit level to check the level of the pedestals
- 3 To take account of a slope in the foundations, joist cradles can be used that can correct for the incline

fig 06

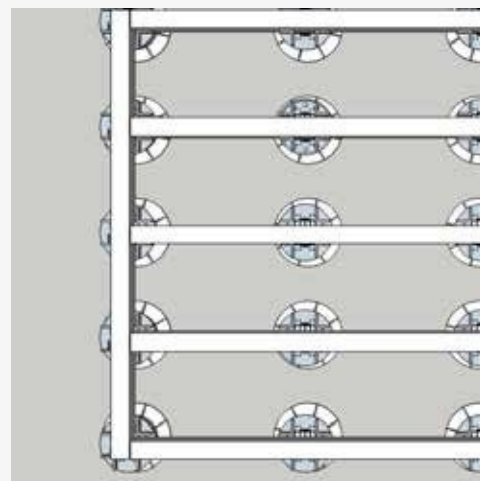


fig 07

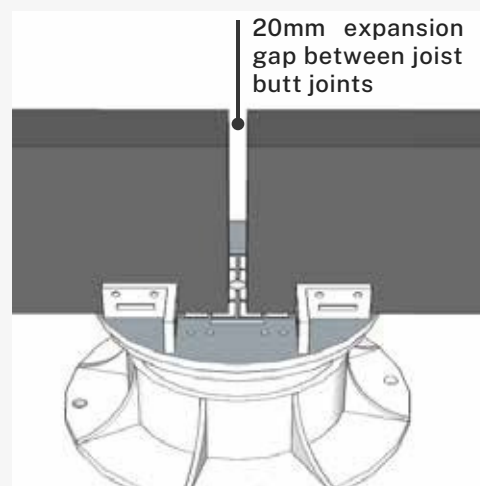
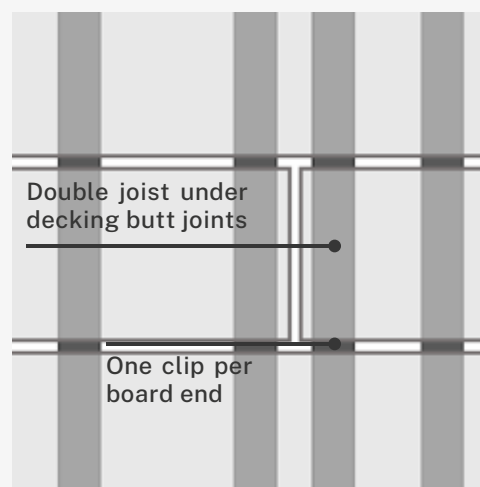


fig 08



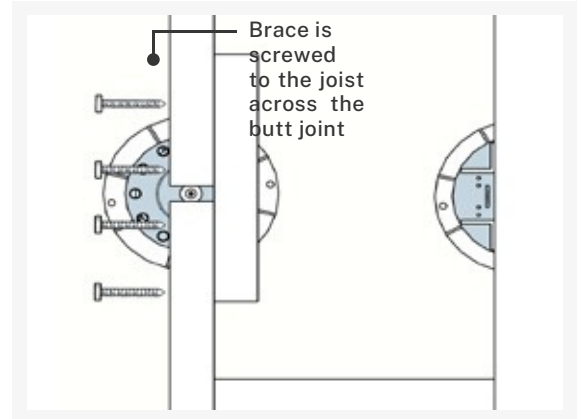
LAYING THE JOISTS

- 1 After laying the pedestals (fig. 06), starting from the edge of your sub-frame, place the bearers on top of the pedestal centres
- 2 Ensure that each bearer / joist is supported in a min. of 3 places, to the max. span as in the table on p. 8. The decking range used will also determine the joist centres (p. 11)
- 3 If you have a joist butt joint, joists can be laid end to end when supported on a pedestal. Ensure to leave a 20mm expansion gap between joists ends (fig. 07)
- 4 A full joist width and clip must be used under each deck board end, thus you must ensure to have a double joist structure for deck board butt joints (fig. 08)

SUB-FRAME: ON CONCRETE FOUNDATIONS

- 5 When joining joists over pedestals (fig. 07) without installing a joist cradle, a brace should be added across joist butt joints. This is especially important when using joists beneath a larger terrace as the lumber may contract, putting pressure on the decking installed above. To secure the brace, screw a section of lumber across the joist butt joint (fig. 09). Holes should be oversized by 3mm to allow for expansion and contraction.

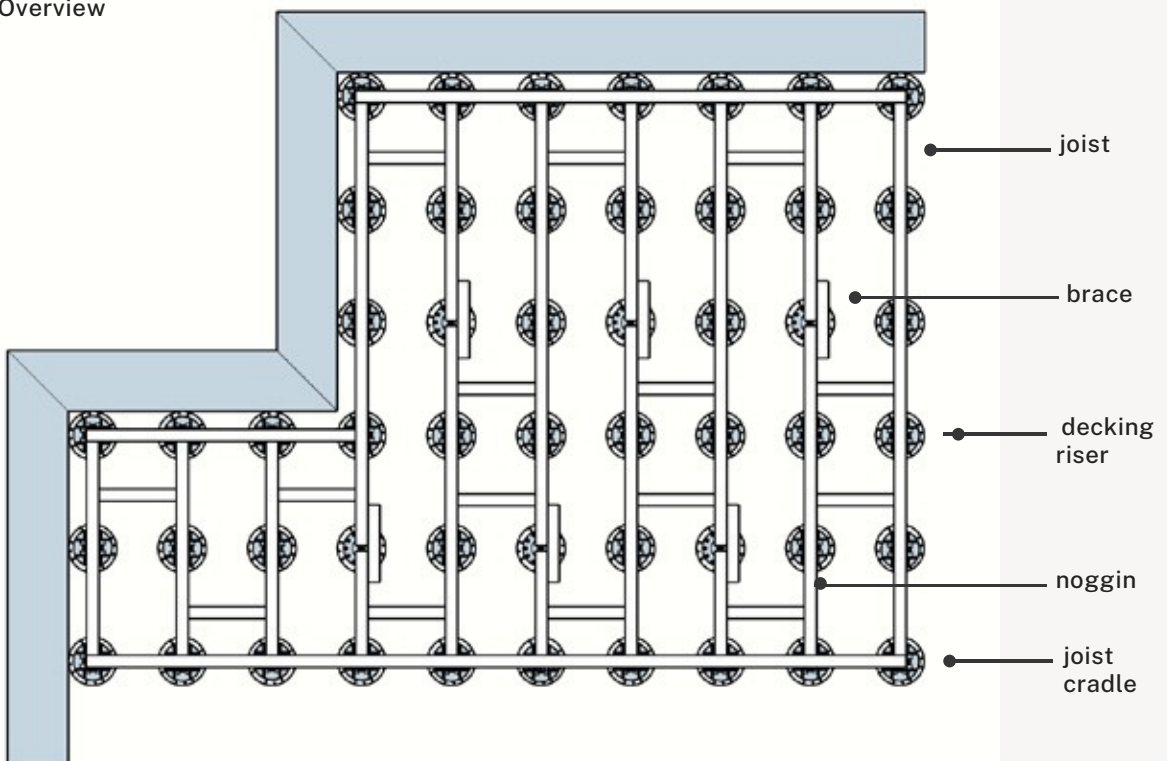
fig 09



Larger decks can be strengthened with noggins, which contribute to the structural durability of the deck (p.13).

fig 10

System Overview



SUB-FRAME: SOFT FOUNDATIONS

On soft ground, post supports are recommended to support your deck.

PREPARING THE AREA

- Remove any top turf layer and screed/gravel should be laid to aid drainage; use weed control fabric to prevent plants growing below the decking
- Incorporate a drainage slope of 4mm per meter
- Composite decking must be a min. of 300mm off the ground when over soft ground
- Foundations must be higher than surrounding areas to avoid ponding

INSTALLING THE SUBSTRUCTURE

- 1 After prepping your area, start from the edge of the sub frame and plant you posts into the ground:
 - Cement posts into the ground min. 500mm or a third of the total post height (fig. 11)
- 2 Once set, you can attach the joist frame:
 - Joists should be attached using good quality galvanised mushroom capped bolts which penetrate both the bearer and the upright post; typically with countersunk nuts where appropriate (fig. 12)
- 3 Ensure that each bearer/ joist is supported in min. 3 places to the max. span as in the table on p. 8. The decking range used will also determine the joist centres (p. 8)
- 4 When using plastic lumber, bolt holes should be oversized by 3mm to allow for expansion and contraction (p. 8)

fig 11

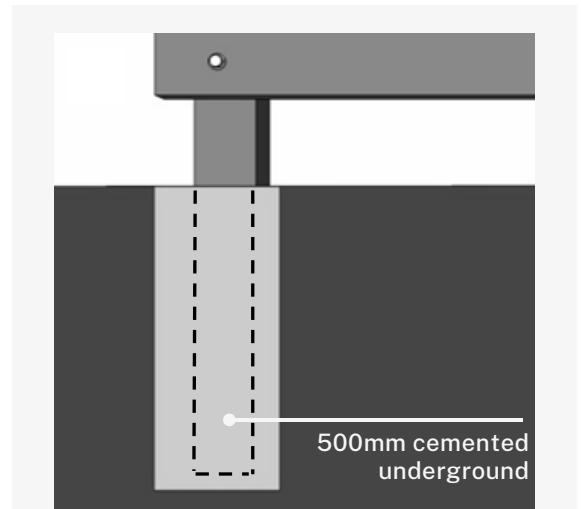


fig 12

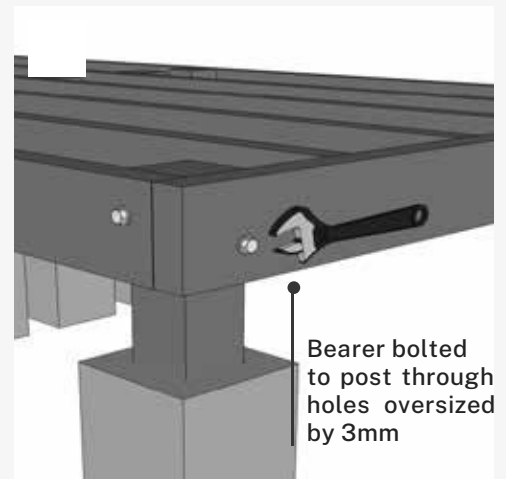


fig 13



SUB-FRAME: SOFT FOUNDATIONS

- 5 To strengthen the deck and reduce the amount of posts required, you can use joist hangers to hold joists to cross beams (fig. 14)
- 6 When using Manticore plastic lumber, where the joist end meets a cross beam, you must leave min. 10mm gap to allow for joist expansion (fig. 15)
- 7 At butt joints the deck board ends should not share a single joist, each deck board end must be supported by a full joist. For deck board butt joints you must ensure to have a double joist structure underneath. (fig. 16)
 - One hidden fasteners should be per board end at butt joints. Butt joints should not share one clip (fig. 16)

SUB-STRUCTURE STRENGTH: NOGGINS

Larger decks can be strengthened with noggins, which contribute to the structural durability of the deck (fig. 10).

This involves fastening the joists to the decking posts using short pieces of lumber. The noggins will need to be installed in a straight line, perpendicular to the joists. Leave a 1mm gap between the noggin and the joist at each side. Pre-drill the joists with two 10mm holes at each end so the screw is free to move.

Offset the noggins so that you can drill straight through the joist and into the end of the noggin to ensure security and stability.

fig 14

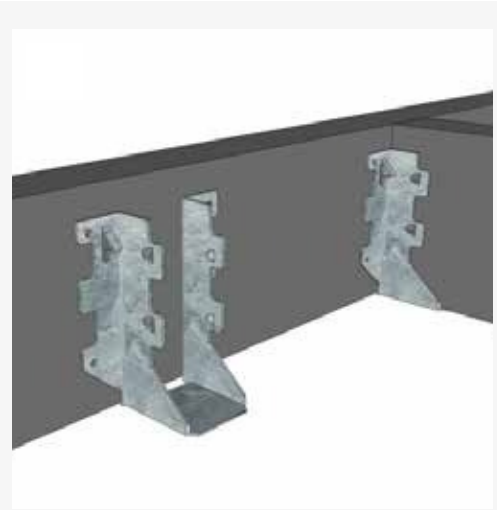


fig 15

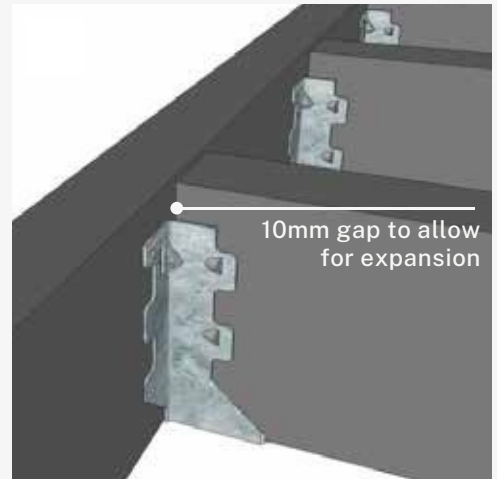
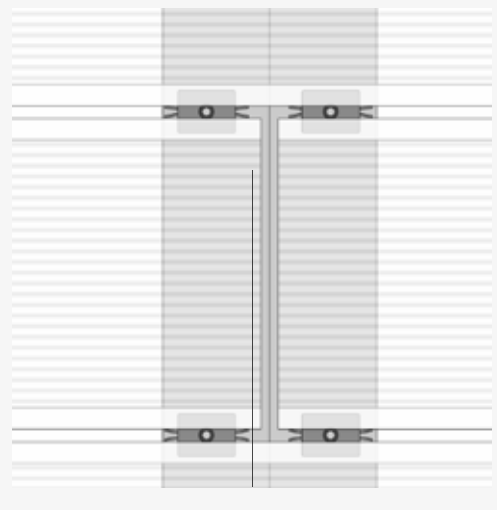


fig 16



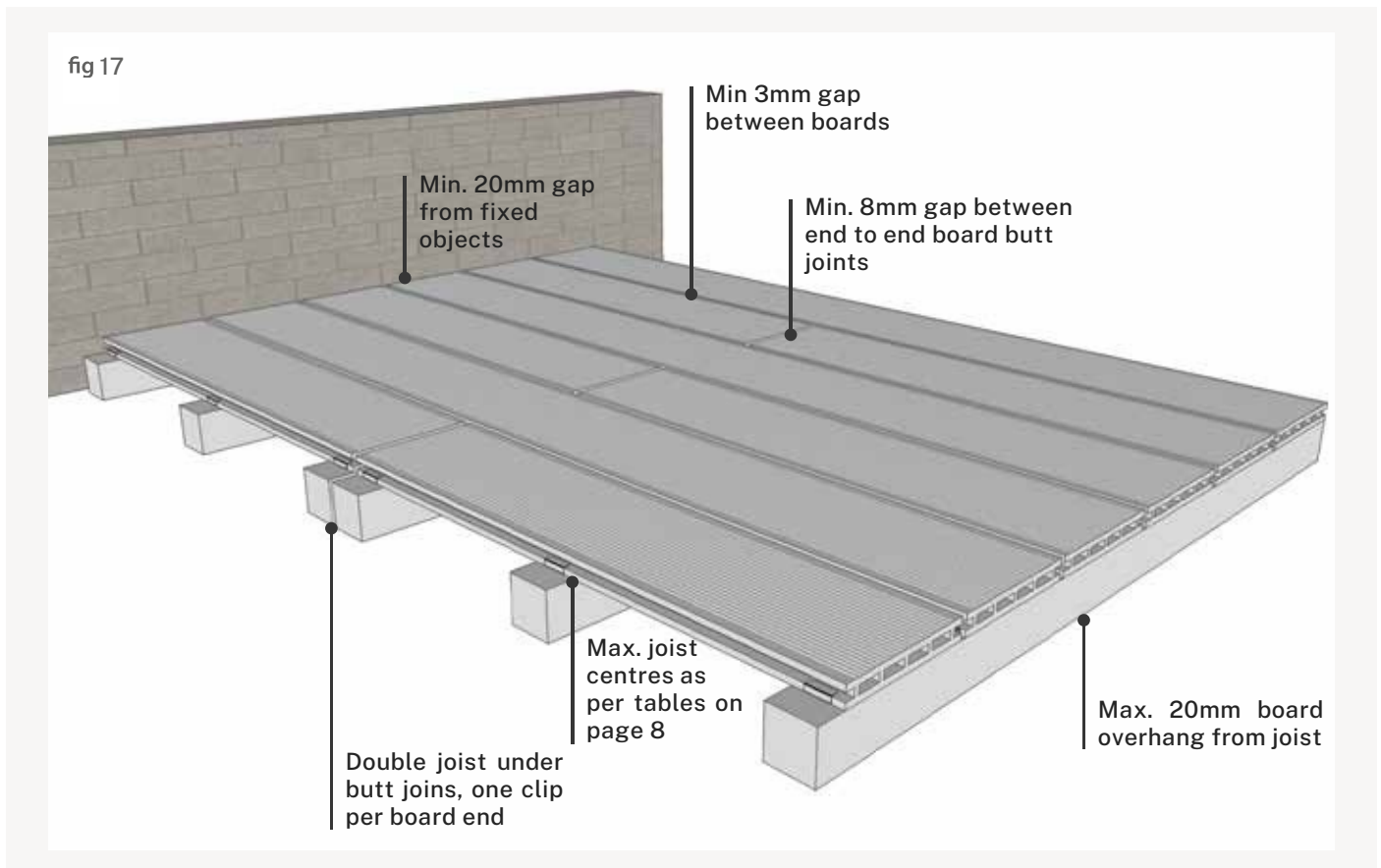
SPACING COMPOSITE MATERIALS

Please ensure the correct sized 3 mm pilot holes (when using PURA FIXING secure screws) are pre-drilled before screwing into all composite products to avoid splitting. The length of the hole must be at least the same length of the screw.

SPACING THE BOARDS AND SUB-FRAME

Due to natural expansion and contraction of material with changes in temperature, please ensure the following gapping requirements for all PURA DECK products:

- PURA DECK boards should have a min. 3mm gap side to side
- PURA DECK board butt joint should have a min. 8mm gap end to end
- Plastic lumber joist butt joint should have a min. 20mm gap end to end
- A min. 20 mm gap is required when abutting walls or other fixed objects
- PURA DECK boards should not overhang joists by more than 20mm
- To ensure sufficient water run-off a drainage slope of 0.5% (5mm per meter) should be incorporated



DECKING INSTALLATION

With your sub frame levelled and stable, you can now start installing your deck boards. If you are installing Bullnose Edging (p. 19-20) or Edge board (p. 21-22), it is recommended to install the corner trimmings before installing the deck boards.

INSTALLING THE DECK BOARDS

- 1** The first board must be fixed with PURA DECK hidden starter fasteners that will clip to the side groove of the board (fig. 18):
 - Align the starter fasteners along the first joist, every 300mm along the joist length
 - Securely screw each fastener to the joist
 - Simply clip the first decking board to the starter fasteners (fig. 19)
- 2** To fix adjacent boards, place PURA DECK hidden fasteners (3mm or 6mm) into the grooved edge of the fixed board and insert the secure screw into the hidden fasteners (fig. 19)
 - Screw holes should be lined up with joist centres
 - Ensure the counter sunk section of the hidden secure fastener is facing up
 - Install 1 hidden fastener on each joist
 - Always use hidden fasteners at board ends
 - Use 1 fastener per board end at butt joints (never share a fastener across 2 board ends)
- 3** For 6mm plastic hidden fasteners, lightly screw in place, do not tighten at this point (fig. 20).
 - For 3mm hidden fasteners, fully tighten the screw at this point

fig 18

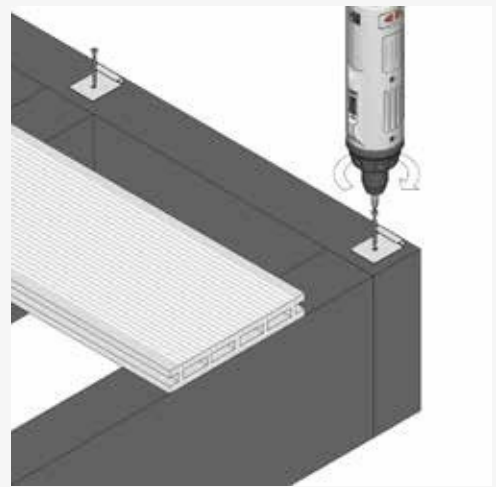


fig 19

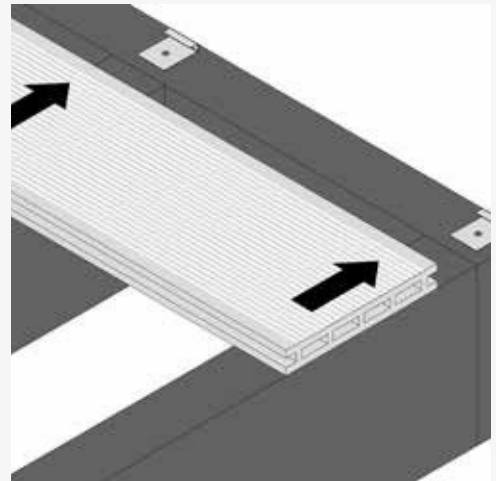
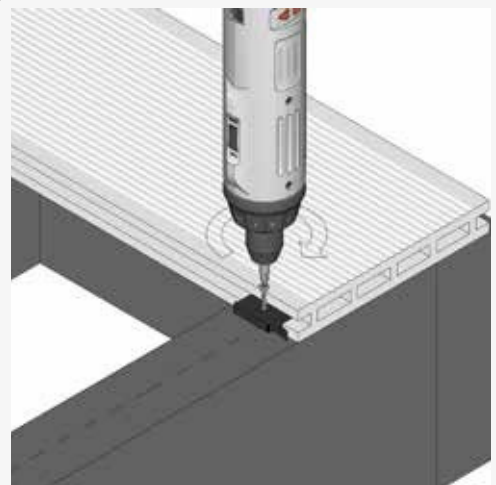


fig 20



DECKING INSTALLATION

- 4** Place the next board into position against the hidden fasteners (fig. 21)
 - Slightly raise the outer edge of the board being installed and slide it onto the hidden fastener
 - Ensure the decking board edge contacts the spacer tab
 - Lightly tap into position if required
- 5** Fully tighten the hidden fasteners, between the last boards installed, down to the joists (fig. 22)
 - Apply sideward pressure on the decking to ensure that the tabs are hard up against the inside of the decking groove
- 6** Repeat steps 2 - 5 until you have reached the last 2 boards (fig. 23). The last board can be fixed in 1 of 2 ways outlined on the next page
If you plan on using Edge Boards to finish your project skip to p. 23, or if you plan on installing a 'picture-frame' boarder then consult p. 20
- 7**

fig 21

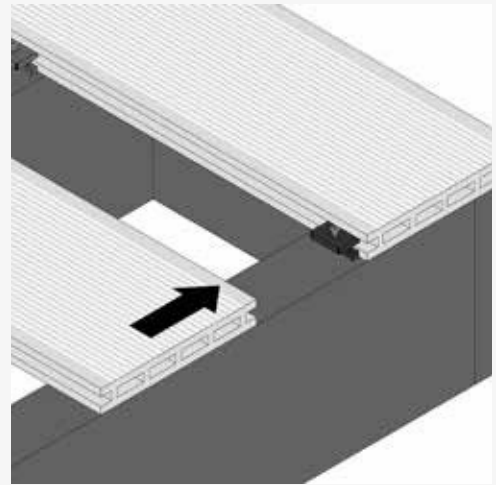


fig 22

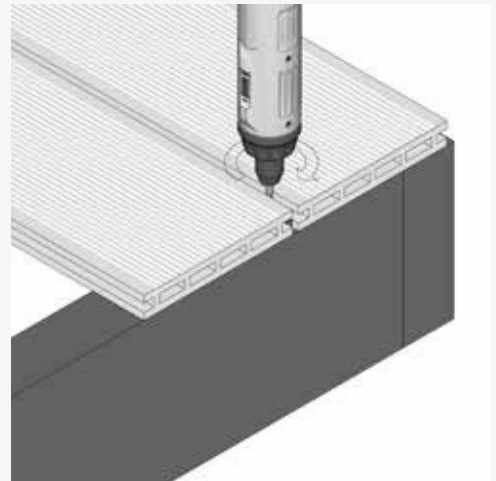
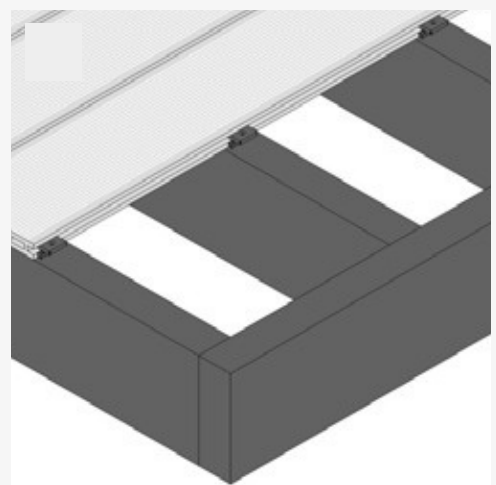


fig 23



LAST DECK BOARD INSTALLATION

6MM HIDDEN FASTENER METHOD

Knowing the width of the last 2 boards including the 6mm spacing gap between them, mark on the last joist where the outer edge of the final board would lie.

- Using these marks, install the hidden starter fasteners securely in place for the outer edge of the last board (fig. 24)

- With the final board in place, insert the penultimate board
- With the 2 boards in place and at least a 6mm gap between them, slide down the require number of 6mm hidden fasteners (fig. 25)
- Secure the fasteners to the joists in between the last boards

This option will only work with the 6mm hidden fasteners. If you are planning on using the 3mm fasteners, you must use the below method

3MM HIDDEN FASTENER METHOD

With the last board in place after securing all other boards, screw through the bottom edge of the last board at an angle, securing it to the joist at 300mm intervals (fig. 26)

- Pre-drill pilot holes in the deck boards 2mm wider than the width as the screw shank
- Do not over drive screws into the deck boards to avoid the material splitting

fig 24

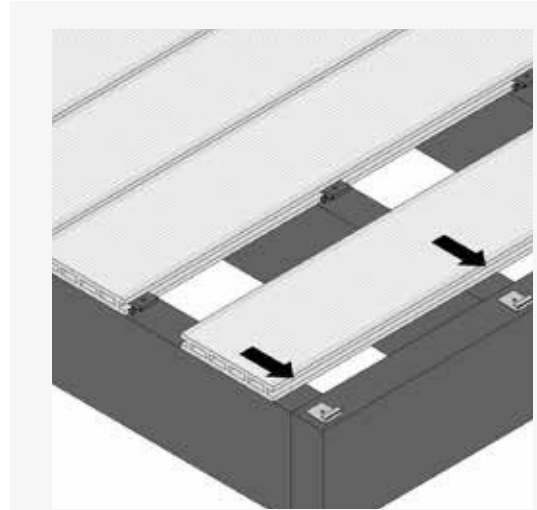


fig 25

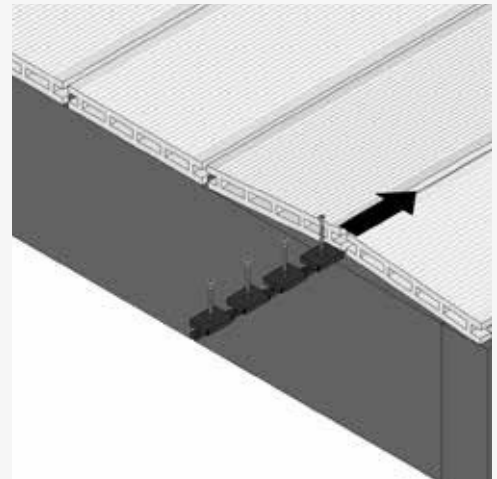
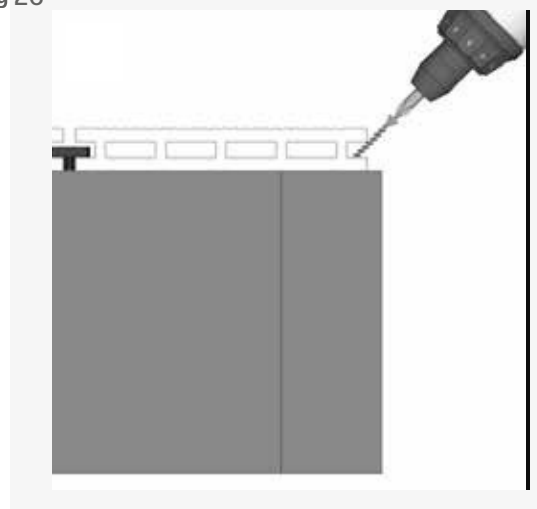


fig 26



DIAGONAL DECKING INSTALLATION

BEFORE YOU START

- Recommended joist centres for diagonal installation are 250mm
- It is recommended that you add 15% extra material as you will generate more scrap from cutting

DIAGONAL DECKING INSTALLATION

- 1** Place the central board first; ensuring to place the board at a 45° angle (fig. 27)
 - Install 1 hidden fastener each time the board crosses a joist
 - Always use hidden fasteners to secure board ends
 - Use 1 fastener per board end at butt joints (never share a fastener across 2 board ends)
 - Use a mitre square to ensure an exact 45° angle
- 2** After laying the central board, progressively place each board outward toward the subframe corners (fig. 28)
 - Boards offcuts can be kept and used for finishing the corners
 - Allow a slight overhang over the edge of the substructure
- 3** Once all boards have been fixed in place, trim the deck board overhang with a circular saw (fig. 29)
 - Complete the deck with finishing as per p. 20-23

fig 27

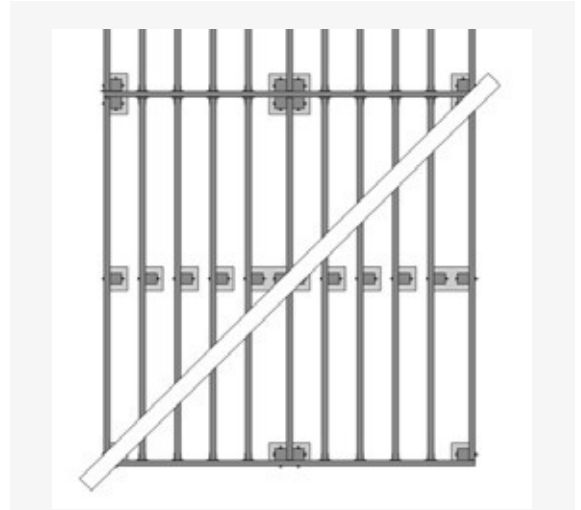


fig 28

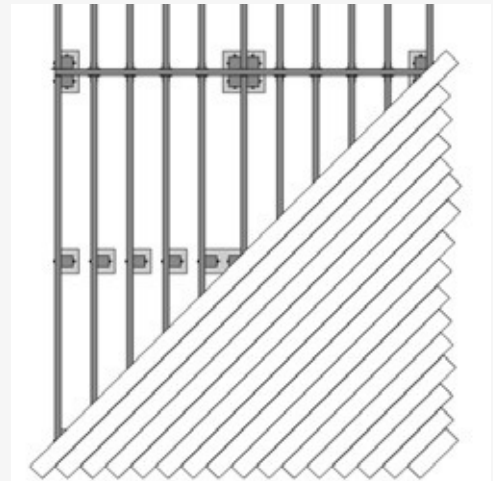
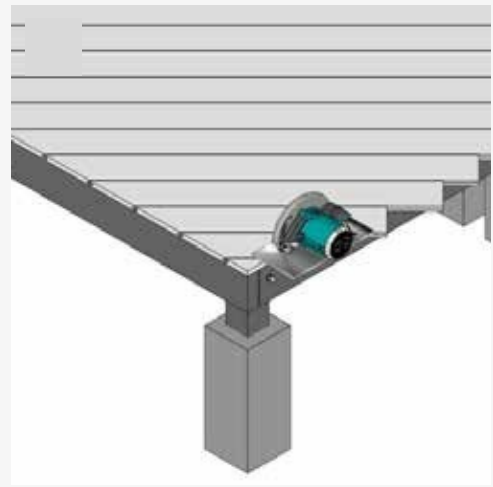


fig 29



PICTURE FRAME BORDER INSTALLATION

If you are planning a picture frame border design (a board that runs around the perimeter of the deck) using either deck boards or Bullnose Edging you need to ensure you install the correct substructure layout.

PICTURE FRAME USING DECK BOARDS

- 1 A full joist width must be used under each deck board end, thus where the picture frame board runs perpendicular to the main deck, you must have a double joist structure (fig. 32)
- 2 Where the picture frame runs parallel you can install the board as per steps 1-6 (p. 16-17) with a 45° mitred end (fig. 31)
- 3 For the boards that run perpendicular to the main deck, place starter clips on the inner joist to hold the inner board edge in place (fig. 30)
 - A clip should be installed every 300mm along the length of the joist
- 4 Slide the picture frame board into the starter clips (fig. 31)
 - You must leave the standard expansion gap between the mitred ends of the picture frame border
- 5 With the picture frame board in place, screw through it's outer bottom edge at an angle, securing it to the joist (fig. 32)
 - Pre-drill pilot holes in the deck boards 2mm wider than the screw shank
 - Do not over drive screws into the deck boards to avoid the material splitting

fig 30

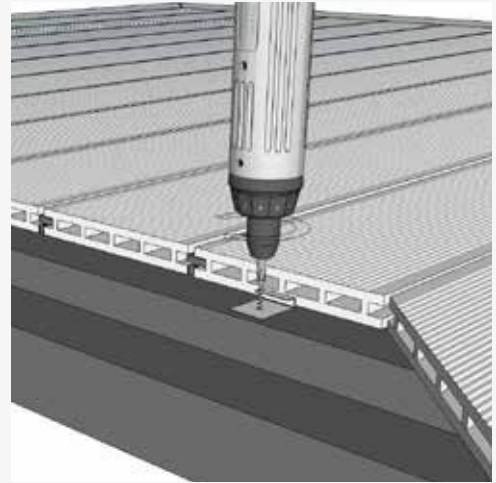


fig 31

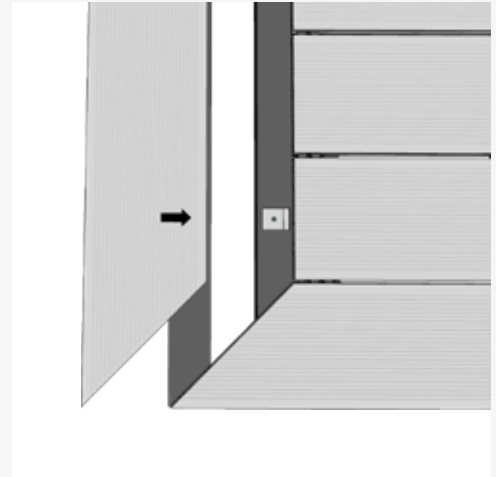
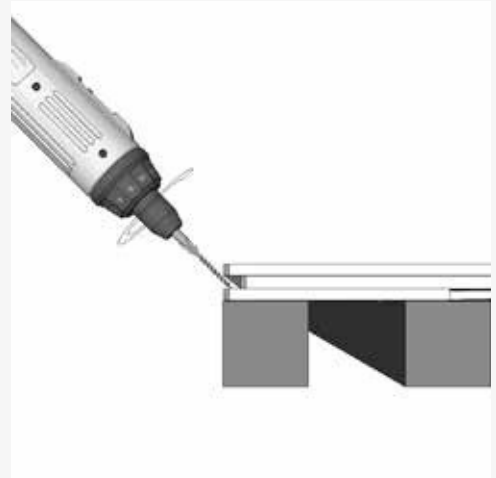


fig 32



BULLNOSE BORDER INSTALLATION

PICTURE FRAME: BULLNOSE BOARDS

PURA DECK Bullnose edging can be used with the hidden fastener system to create a flush finish for steps and deck board edges. There are two methods for installing the bullnose board, parallel and perpendicular to the decking

- Ensure to keep a 6mm expansion gap between edge board butt joints (min. 0.2% of the boards length)
- The bullnose must be installed before laying down the decking
- This option is only available in the Frontier range

PARALLEL BOARD INSTALLATION

- 1 Where fixing the bullnose boards around a corner, mitre the ends at 45° angles
- 2 Secure starter fasteners onto the outer joist (fig. 33) at 400mm intervals
- 3 Line up the bullnose board and lay the underside groove directly on top of the starter fasteners (fig. 34)
- 4 Push the board forward to lock the board (fig. 35)
- 5 Secure the remaining side of the bullnose board with hidden fasteners

fig 33

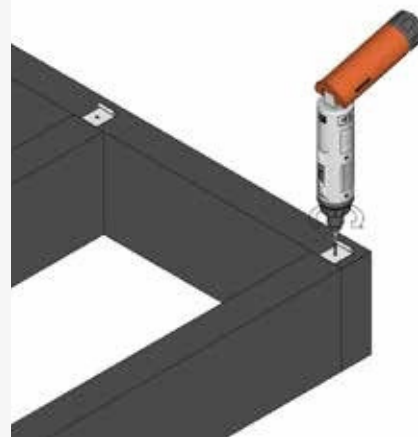


fig 34

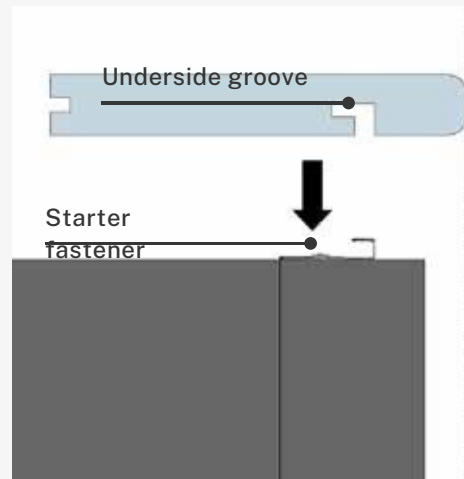
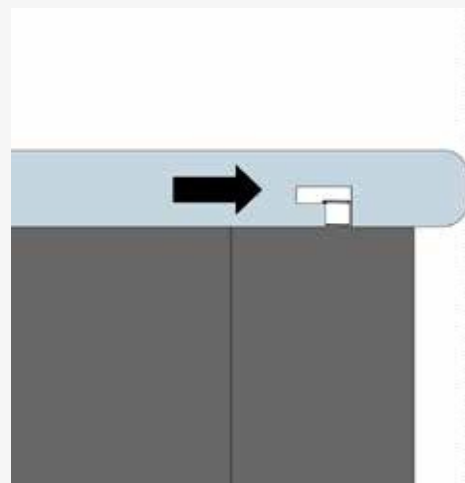


fig 35



BULLNOSE BORDER INSTALLATION

PERPENDICULAR BOARD INSTALLATION

- 1 A full joist width must be used under each deck board end, thus where the bullnose board runs perpendicular to the main deck, you must have a double joist structure (fig. 36)
- 2 Secure starter fasteners onto the outer joist (fig. 37) at 400mm intervals
- 3 With the bullnose board in place, screw through the hidden fastener groove at a 45° angle, securing it to the joist (fig. 38)
 - Pre-drill pilot holes in the deck boards 2mm wider than the screw shank
 - Do not over drive screws into the deck boards to avoid the material splitting

fig 36

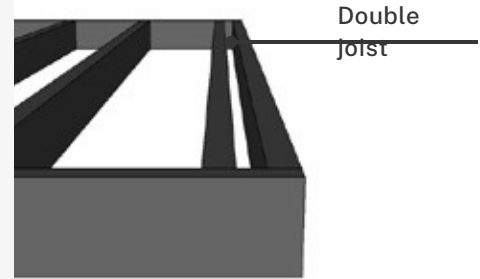
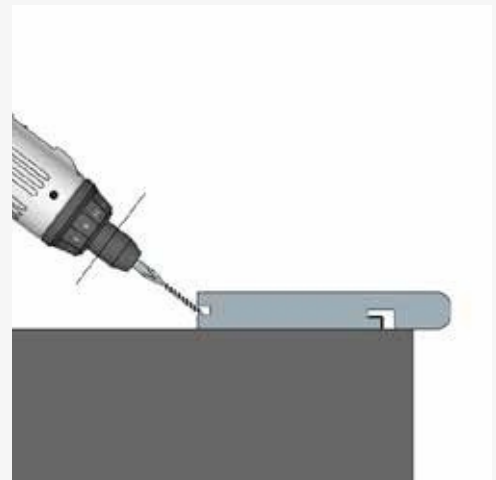


fig 37



fig 38



EDGE BOARD INSTALLATION

OPTION 1: EDGE BOARD (PURA DECK)

Pura Deck edge boards can be used with the hidden fastener system to create a perfectly flush finish on deck edges and steps. There are two methods for installing the board, parallel and perpendicular to the decking

- Ensure to keep a 6mm expansion gap between edge board butt joints (min. 0.2% of the boards length)
- When using edge boards, use decking boards to complete the vertical deck skirting. Edge boards are not compatible with PURA DECK fascia boards

PARALLEL BOARD INSTALLATION

- 1 Where fixing the edge boards around a corner, mitre the ends at 45° angles
- 2 Place the edge board over the edge of the joist and secure in place with PURA DECK hidden fasteners at 300mm intervals (fig. 39). Your chosen finish will affect the type of fasteners you should use to install the board:
 - If you are using a deck board for your fascia, use a 6mm or 3mm hidden fastener to secure the bottom of the edge board (fig. 39)
 - If you are not planning to add fascia, you can use a starter fastener along the bottom edge (fig. 40)
 - To secure the top side of the edge board with 6mm hidden fasteners, lightly secure down to the joist (fig. 41), you will fully tighten once the next board is in place

fig 39



fig 40

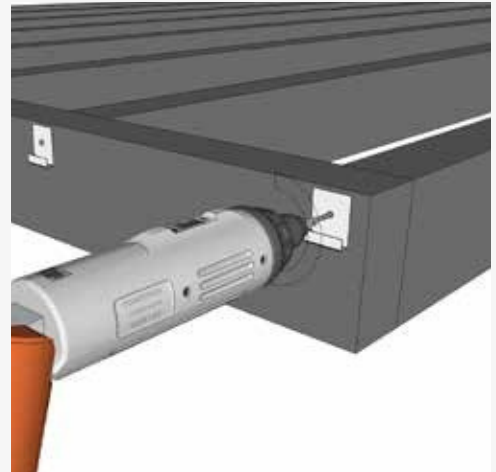
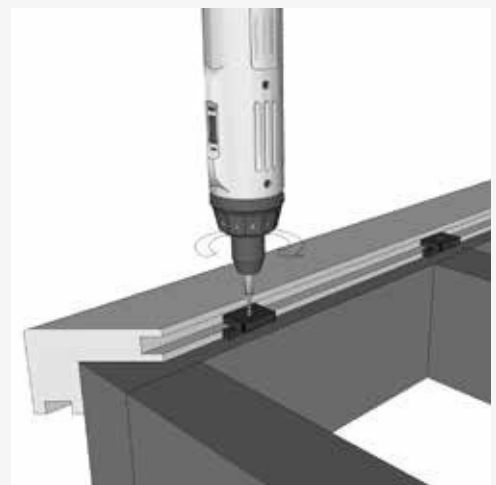


fig 41



EDGE BOARD INSTALLATION

- 3 Once secured in place, slide the first deck board into the hidden fasteners (fig. 42)
- 4 Fully secure the hidden fastener to the joist

PERPENDICULAR BOARD INSTALLATION

- 1 Where fixing the edge boards around a corner, mitre the ends at 45° angles
- 2 Install starter fasteners on the top side of the outer joist (the vertical clip edge should be 35mm from the outer joist edge). Starter fasteners should be installed every 300mm along the length of the joist (fig. 43)
- 3 Clip the edge board into the starter clips (fig. 43)
- 4 With the edge board in place, use hidden fasteners (3mm or 6mm) to secure the bottom side of the edge board:
 - Only secure lightly in place if you plan to install a deck board fascia then tighten once the first fascia board is in place

fig 42

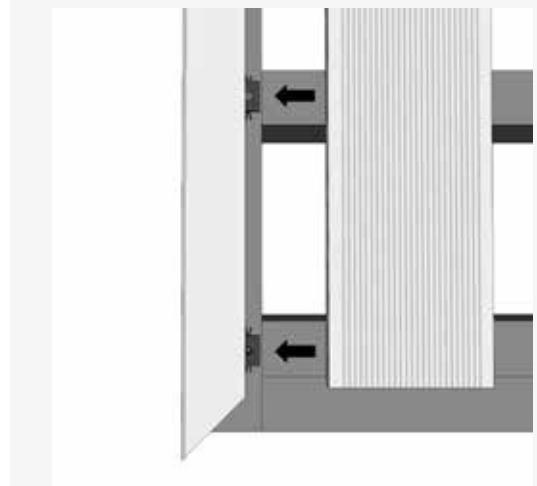


fig 43

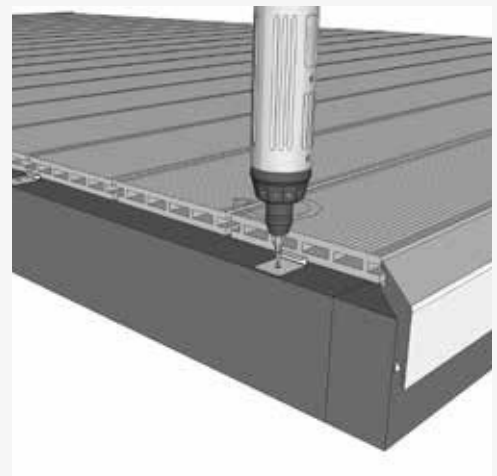
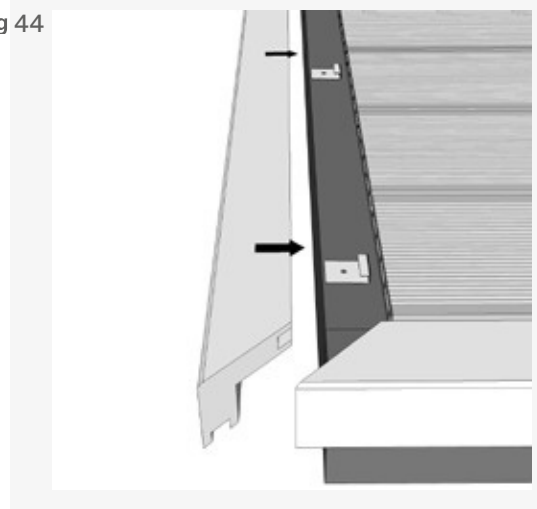


fig 44



FASCIA BOARD INSTALLATION

BEFORE YOU START

You must ensure a suitable ventilation gap is left around the base of a deck allowing air flow:

- Hard / concrete foundations: min. 20mm gap
- Soft / non-concrete foundations: min. 40mm gap

OPTION 2: FASCIA BOARD

PURA DECK fascia boards can be used to skirt visible deck edges. This option will result in visible screws.

- 1 Line up the top fascia board edge with the top of the decking to hide the grooved decking edge (fig. 46)
- 2 Pre-drill 4mm countersunk pilot holes through the fascia board to avoid material splitting (fig. 45)
- 3 Fix in place with 50mm countersunk screws:
 - Fascia boarding should only be screwed in place
 - It is not recommended to attach the boards using adhesive glue
- 4 Ensure you have left appropriate expansion gaps where fascia board ends meet, min. 0.2% the board length

fig 45

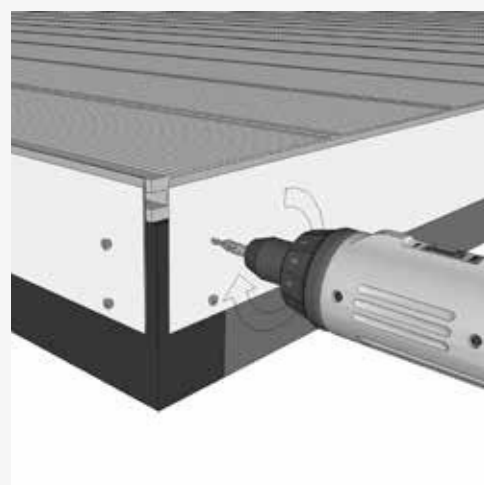


fig 46

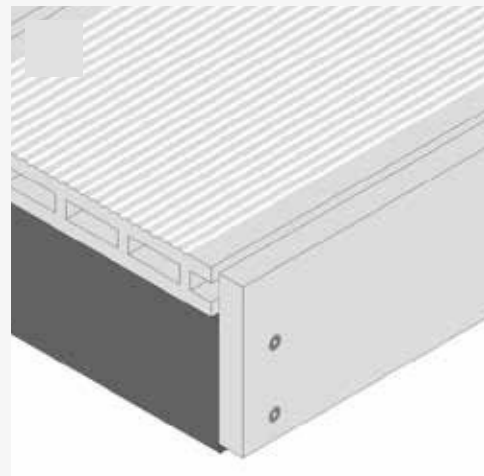


fig 47

RANGE	BOARD LENGTH (MM)	BOARD WIDTH (MM)	BOARD DEPTH (MM)
PURA DECK	2700	72	12

CORNER TRIM INSTALLATION

OPTION 3: CORNER TRIM (PURA DECK) fig 48

PURA DECK corner trim can be used with PURA DECK fascia and deck boards to cover exposed board sides and substructure. This option will result in visible screws.

- 1 Measure the required amount of PURA DECK corner trim and cut down to size, mitre down the ends at 45° angles if installing around corners (fig. 48)
- 2 Cover the deck edge with corner trim and attach with screws
- 3 Pre-drill 4mm countersunk pilot holes (fig. 49)
- 4 Fix with 50mm countersunk screws (fig. 49)
 - Do not overdrive screws when through composite products, finish tightening by hand
 - Corner trims should only be screwed into the deck.
 - It is not recommended to attach the trim using glue.
- 5 Ensure you have left appropriate expansion gaps where corner trim ends meet, min. 0.2% the board length (fig. 49)



fig 49

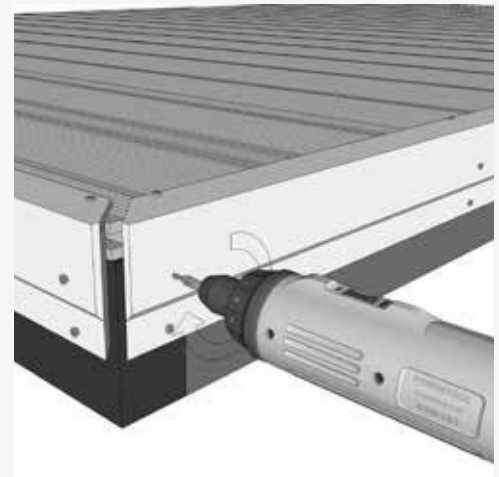


fig 50

RANGE	BOARD LENGTH (MM)	BOARD WIDTH (MM)	BOARD DEPTH (MM)
PURA DECK	2200	54 X 40	4

STEPS & STAIRS INSTALLATION

BEFORE YOU START

Steps must be min. 2 boards deep and max. 190mm high per step rise (220mm in private installations)**

INSTALLING DECK STEPS & STAIRS

If creating the step support frame using plastic lumber, it is recommended that you use 50 x 150mm profile bearers and only in a box frame structure (fig. 53)

- 1 Plan your step area, taking into account the decking board and riser width, when designing the tread and rise dimensions
- 2 Create a box frame to support your step area (fig. 51):
 - Ensure that the boards are supported at the appropriate joist centres
 - If you are creating multiple steps, ensure the base box is large enough to stack all steps on top (fig. 51)
- 3 For multiple steps create additional smaller box frames and place on top (fig. 53)
- 4 You can secure the separate box frames by inserting a post into the inner corner of the box frame and screwing in place (fig. 53)

fig 51

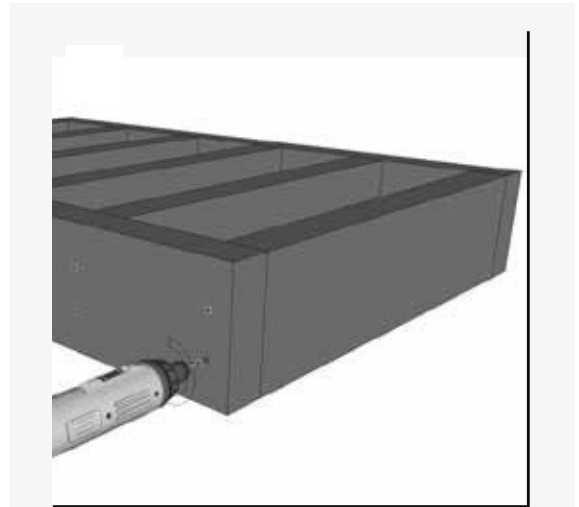


fig 52

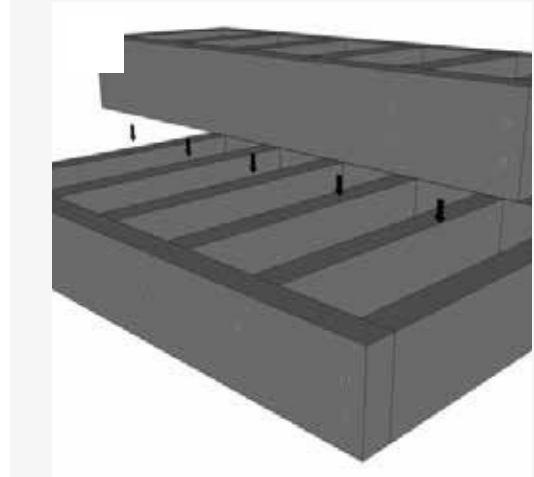
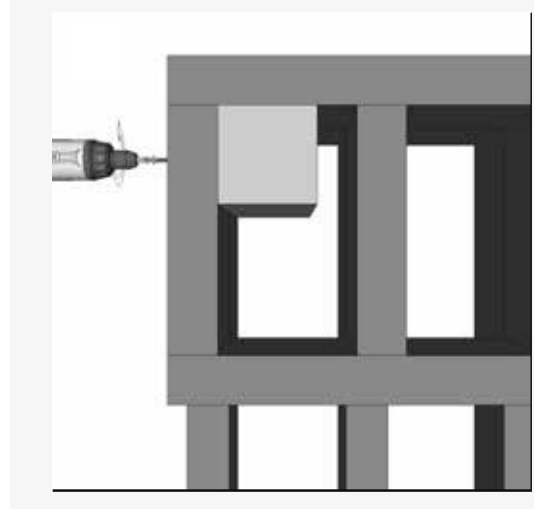


fig 53



** It is the customers responsibility to ensure the installation meets the stipulation of the minimum and maximum step rise, step going (depth) and pitch required, as per 'Document K: Building Regulations 1992'

STEPS & STAIRS INSTALLATION

Alternatively you can create step stringers using appropriate width treated timber

- You must use min. 3 stringers, at max. 300mm centres (fig. 53)

STEP NOSING: EDGE BOARDS

Edge boards can be used to create the perfect flush finish for steps (fig. 53)

- Install the edge boards and decking step treads as per steps 1-7 (p. 22: parallel edge board installation)

STEP NOSING: FASCIA BOARDS

For the step riser, attach fascia boards by screwing directly through into the step frame (p. 24)

- Ensure to pre-drill 4mm countersunk pilot holes and do not overdrive screw
- Install the first and second step tread boards

STEP NOSING: CORNER TRIMS

Install corner nosing trim (p. 25), when using PURA DECK boards for the riser (fig. 53)

- Ensure to pre-drill 4mm countersunk pilot holes and do not overdrive screw

fig 53

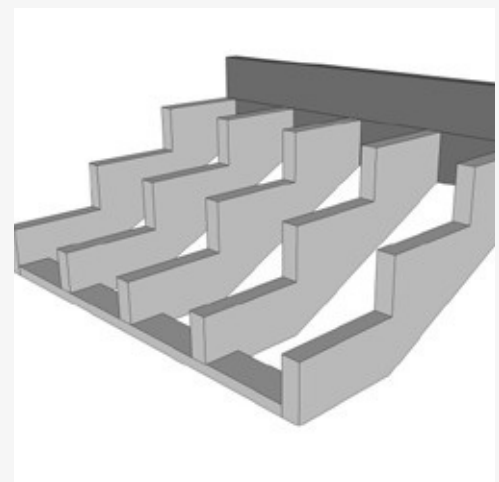


fig 53

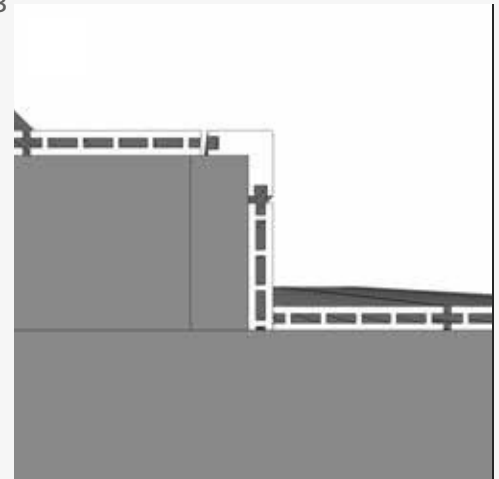
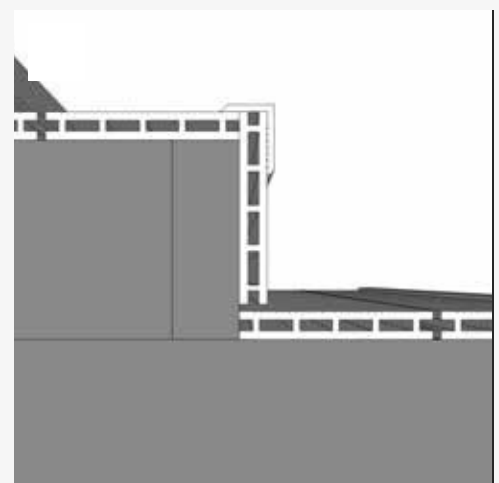


fig 53





PURA DECK PRO products are low maintenance, however with a little cleaning you can help keep your outside space looking beautiful for longer. Please note that although PURA DECK PRO products are relatively colour stable, there may be some initial lightening of the PURA DECK PRO range products as the product naturally weathers over the first 8-10 weeks.

DIRT & GRIME

Maintaining a clean, dry surface is the best method for combating dirt, grime and mildew build up, where a periodic cleaning is all that may be required. Even though PURA DECK PRO products are formulated to inhibit mildew growth and staining, mildew stains can occur where moisture and dirt or pollen is present.

SCRAPES & SCRATCHES

Surface scratches and abrasions will fade after weathering. However, scrape and scratch marks can be eliminated by using a wire brush or coarse 60-80 grit sandpaper. Simply brush / sand in the direction of the grain on the product until the mark has gone. The treated area will weather back in approximately 8-10 weeks.

PAINTING & STAINING

PURA COMPOSITES LTD does not guarantee or recommend anything applied to PURA DECK PRO products, however it is still possible for PURA DECK PRO products to be painted or stained. Wait until the product has completed its weathering process and ensure you have a clean and dry surface prior to applying any paint or stain. Always apply products in accordance with the manufacturer's application instructions.

SPOT STAINS

Many stains can be cleaned with soap or household de-greasing agent and warm water. Scrub and soak the affected area as soon as the stain occurs to

ensure best results, then rinse off with warm water. For more stubborn stains we recommend using a composite specific cleaner for more effective stain removal. Only with very set stains, you may want to use coarse sandpaper (60-80 grit) and sand lightly, always in the direction of the grain of the product (be careful when sanding the wood grained fencing slats as this can remove the enhanced wood grain effect).

Cleaned or sanded areas may lighten, which can require 8-10 weeks exposure to the sun to match the remaining product, depending on location and specific application. Due to the wood content, composite products, like any wood-based product, may experience a naturally occurring process called extractive bleeding (known as tea staining). This process can cause a temporary discoloration that will fade with time.

CLEANING

With the proper safety precautions PURA DECK PRO products can be washed with either soapy water and a soft bristled brush or with a power washer (recommended max. 1500psi pressure). You should ensure to spray in the direction of the grain of the boards and use a fan tip nozzle (min. 6 inches from surface) along with the proper cleaning product.

Q.Where can I use PURA Composites Decking?

A. The versatile PURA Composites product range can be used in a variety of locations, both residential and commercial. Most common are external communal areas, balconies, pool sides as well as many more practical uses.

Q.What colours do your products come in?

A. PURA Composites decking comes in a variety of colours. For the PURADECK PRO range we have the natural browns: Oak and Walnut, then the modern greys: Charcoal, Slate Grey and Silver Ash.

Q.Will the colour fade over time?

A. PURADECK PRO products will naturally lighten over the first 8-12 weeks

Q.How slippery does the decking become when it gets wet?

A. PURA Composites decking is designed with microgrooves that aid in slip-resistance. Regardless of conditions, our ranges can outperform timber, however, we will recommend extra caution if the decking becomes wet.

Q.How do your products react when exposed to water?

A. PURA Composites products are designed to take on very little water (c.1%). Our ranges have a much lower absorption rate than timber which heavily reduces the likelihood of wet rot over a longer period of time.

Q.Do you have recommended installers I can use?

A. PURA Composites Ltd has an extensive network of recommended installers who we trust to bring your plans to reality. We have chosen these installers for their high quality of work and professionalism, but as with any third party, we recommend that you follow your own precautions before entering into a contract with them.

Q.Does the decking require treating?

A. PURA Composites Ltd products are already coloured so do not require painting at all. Also, due to the plastic content within PURA DECK products there is no need for any further treatment. This also makes it easy to clean.

Q.Anything else?

A. For any other technical, installation or care questions, go to www.puracomposites.ie call our technical team on 01-8427671 or email us at info@puracomposites.ie

Q.Can I see PURA DECK samples?

A. Simply send an email to info@puracomposites.ie to order your samples.



PURACOMPOSITES.IE



+353 1 84 27669

